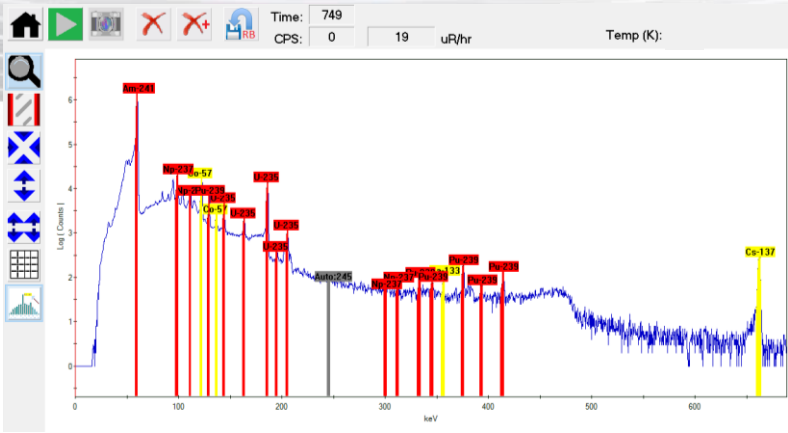


# Fulcrum<sup>25</sup>

HPGe Spectrometer



## High Resolution Spectroscopy and *Automatic* Identification

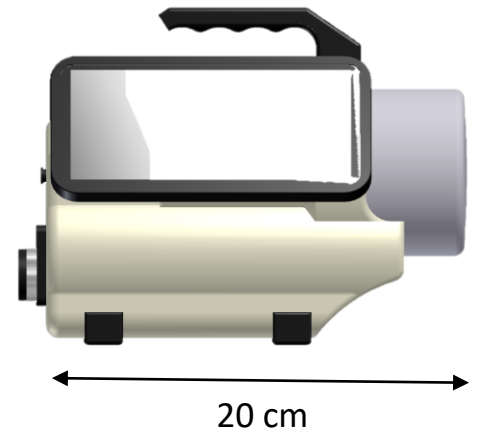
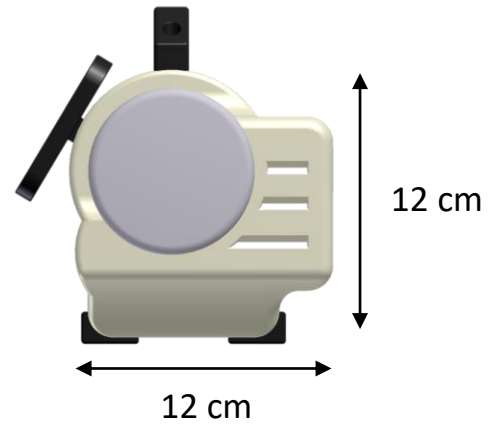


## Applications

- Military and Civilian CBRNE Operations
- Nuclear Safeguards
- Nuclear Security
- Special Nuclear Materials Proven

# Fulcrum<sup>25</sup>

HPGe Spectrometer



Wireless or USB cable operation  
6-in Android phone i/o device

Energy resolution:  
100 keV FWHM ~ 850eV

Quantitative Analysis  
ANSI N42.42 Reachback output

3 kg (6.6 lbs)  
Stirling Cooler (no LN2)  
10 hr battery life  
15-20 minute cool-down  
4 cm x 2 cm (l x dia), 25cm<sup>3</sup>